

Bourdon tube pressure gauge Model 111.11, welding gauge to ISO 5171



for further approvals
see page 2

Applications

- For equipment and plants for welding, cutting and allied processes

Special features

- Design per ISO 5171
- Pressure relief in case back
- Reliable and cost-effective



Bourdon tube pressure gauge model 111.11

Description

Design

ISO 5171

Nominal size in mm

40, 50, 63

Accuracy class

2.5

Scale ranges

Welding engineering standard ranges for oxygen and acetylene to ISO 5171, as well as 0 ... 1 to 0 ... 400 bar to EN 837-1

Pressure limitation

Steady: 3/4 x full scale value

Fluctuating: 2/3 x full scale value

Short time: Full scale value

Permissible temperature

Ambient: -20 ... +60 °C

Medium: +60 °C maximum

Temperature effect

When the temperature of the measuring system deviates from the reference temperature (+20 °C): max. $\pm 0.4 \%$ /10 K of the span

Standard version

Process connection

Copper alloy, lower mount (LM), with restrictor

NS 40: G 1/8 B (male), 14 mm flats

NS 50,63: G 1/4 B (male), 14 mm flats

Pressure element

Copper alloy (with acetylene, max. 70 % copper content),
C-type or helical type

Movement

Copper alloy

Dial

Plastic, white, with pointer stop pin

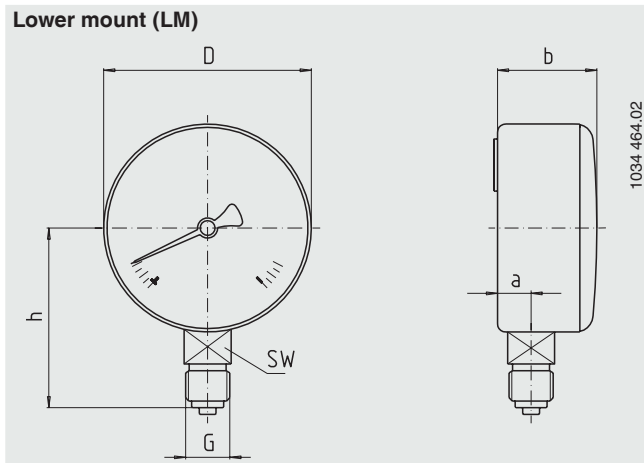
Black lettering

Pointer

Plastic, black

Dimensions in mm

Standard version



NS	Dimensions in mm						Weight in kg
	a	b	D	G	h ±1	SW	
40	9.5	26	39	G 1/8 B	36	14	0.09
50	9.5	28	49	G 1/4 B	45	14	0.11
63	9.5	28	62	G 1/4 B	53.5	14	0.15

Process connection per EN 837-1 / 7.3

Case

Steel, brass-coloured,
with pressure relief in case back

Window

Polycarbonate, snap-fitted in case

Options

- Other process connection
- Sealings (model 910.17, see data sheet AC 09.08)
- Case brass or stainless steel
- Slip-on bezel
- Back mount (BM)
- Acetylene pressure gauge for pressure regulators for manifold systems per ISO 7291 (BAM tested)

CE conformity

Pressure equipment directive

97/23/EC, PS > 200 bar, module A, pressure accessory

Approvals

- GOST, metrology/measurement technology, Russia
- GOST-R, import certificate, Russia
- CRN, safety (e.g. electr. safety, overpressure, ...), Canada

Certificates ¹⁾

- 2.2 test report per EN 10204 (e.g. state-of-the-art manufacturing, material proof, indication accuracy)
- 3.1 inspection certificate per EN 10204 (e.g. indication accuracy)

1) Option

Approvals and certificates, see website